

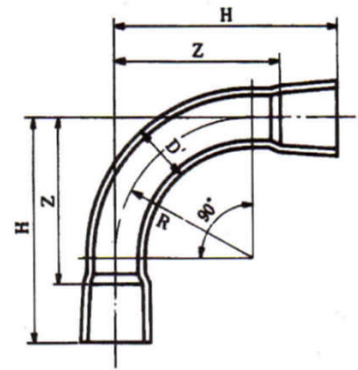
# PVC LONG BEND



## CLASS SS272

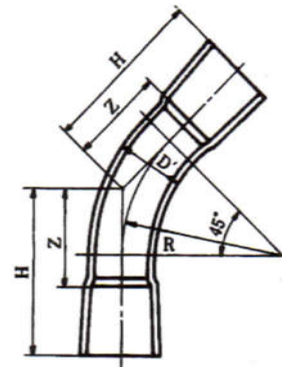
### 90 DEGREES

SIZE (nominal)	Dimensions (in mm)		
	H	Z	R (Radius)
110mm - R300	565	361	R 300
110mm - R500	610	450	R 500



### 45 DEGREES

SIZE (nominal)	Dimensions (in mm)		
	H	Z	R (Radius)
110mm - R300	269	185	R 300
110mm - R500	318	215	R 500



### 22.5 DEGREES

SIZE (nominal)	Dimensions (in mm)		
	H	Z	R (Radius)
110mm - R1000	320	220	R 1000
110mm - R2500	490	407	R 2500