

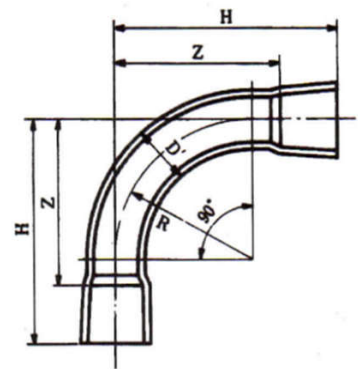
PVC LONG BEND



CLASS B (SS141)

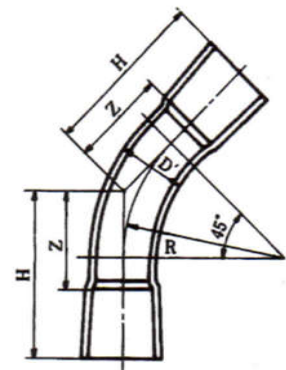
90 DEGREES

SIZE (nominal)	Dimensions (in mm)		
	H	Z	R (Radius)
4" 100	565	361	R 300
6" 150	695	563	R 500



45 DEGREES

SIZE (nominal)	Dimensions (in mm)		
	H	Z	R (Radius)
4" 100	269	185	R 300
6" 150	402	270	R 500



22.5 DEGREES

SIZE (nominal)	Dimensions (in mm)		
	H	Z	R (Radius)
6" 150	355	205	R 1000
6" 150	485	350	R 2500