

# VORTEX INHIBITOR



**SENCO™ VORTEX INHIBITOR** is designed to prevent initiation of vortices within pump suction pipes during the extraction of large volume of water. It is typically installed in clean water storage tanks and helps ensure that the pump is well-protected.



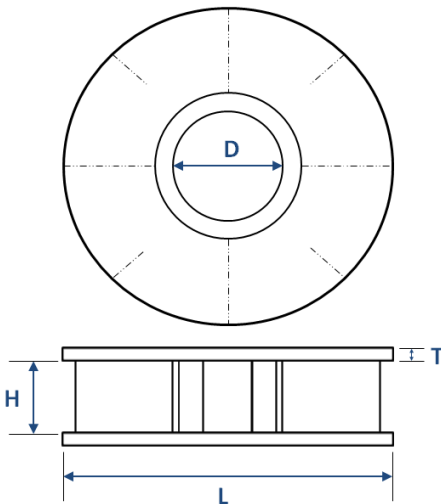
## ADVANTAGES

- Prevents air entrainment.
- Improves pump efficiency and prevents potential damage.
- Maximizes tank's effective water storage capacity.
- Cost savings as tank can be sized smaller.
- Polypropylene offers light weight, high tensile strength, excellent abrasion resistance and anti-corrosion properties.

## SPECIFICATIONS

- High grade Polypropylene
- Stainless Steel SS304 Bolts, Nuts, Washers
- Stainless Steel SS304 Netting
- Connects to PN16 Flange

## DIMENSIONS



Item Code	D	H	L	T	PCD
<b>VT075</b>	3" (≈75mm)	55 mm	230 mm	8 mm	160 mm
<b>VT100</b>	4" (≈100mm)	58 mm	300 mm	8 mm	180 mm
<b>VT150</b>	6" (≈150mm)	80 mm	450 mm	10 mm	240 mm
<b>VT200</b>	8" (≈200mm)	107 mm	600 mm	10 mm	295 mm
<b>VT250</b>	10" (≈250mm)	133 mm	700 mm	12 mm	355 mm
<b>VT300</b>	12" (≈300mm)	160 mm	900 mm	12 mm	410 mm
<b>VT350</b>	14" (≈350mm)	170 mm	1050 mm	12 mm	470 mm
<b>VT400</b>	16" (≈400mm)	200 mm	1200 mm	12 mm	525 mm
<b>VT450</b>	18" (≈450mm)	230 mm	1220 mm	12 mm	585 mm

All dimensions have a tolerance of ±1mm.

Dimensions & specifications may be subject to change without prior notice.

Revised 1.7.2020