

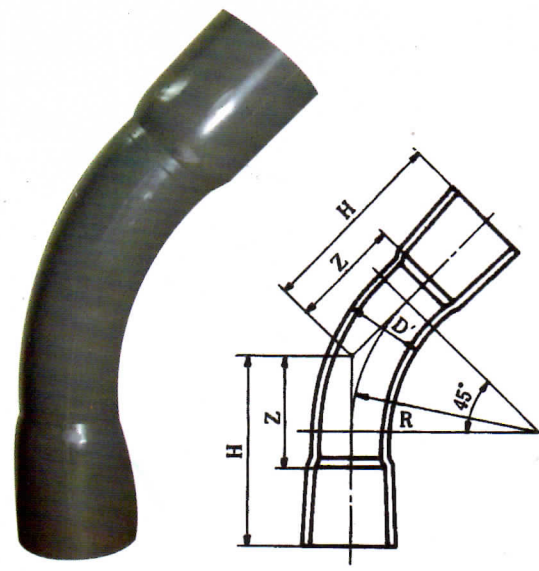
Drilling of sub-soil pipe
(All size & standard)

45° Bends

Specification for 45° Long Bend

Unit : mm

Nominal Dia.	D	R (Reference)	H	Z (Reference)
25	32	100	90	50
30	38 / 40	120	95	55
40	48	130	100	60
50	60	150	154	91
75	89	245	221	157
100	114	300	269	185
125	140	400	331	227
150	165	500	402	270



90° Bends

Specification for 90° Long Bend

Unit : mm

Nominal Dia.	D	R (Reference)	H	Z (Reference)
25	32	100	140	90
30	38 / 40	120	180	130
40	48	130	195	140
50	60	150	242	179
75	89	245	365	275
100	114	300	565	361
125	140	400	565	461
150	165	500	695	563

